

SABA

Gas Radiant Charbroiler



Model: CB-36

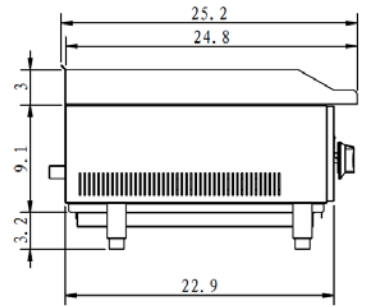
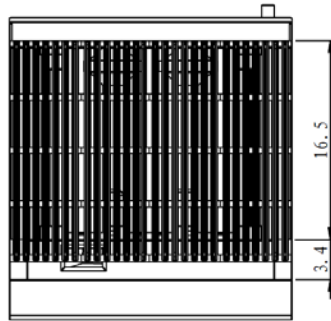
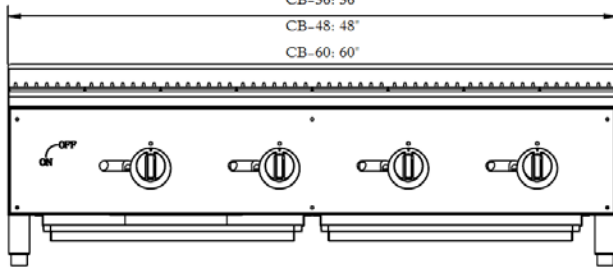


- CB-16 16" wide gas radiant charbroiler
- CB-24 24" wide gas radiant charbroiler
- CB-36 36" wide gas radiant charbroiler
- CB-48 48" wide gas radiant charbroiler
- CB-60 60" wide gas radiant charbroiler

STANDARD FEATURES

- Stainless steel front and sides
- Steel U-shape burner, each 30,000 BTU/hr
- To be controlled every 12 "
- Hot rolled steel radiant cover with cast iron grate
- Standby S/S pilot for easy start
- Adjustable heavy duty legs
- Cool to touch fiberglass Nylon knobs
- Grease through channel in the front
- Stainless steel oil collector in the bottom
- Stainless steel splash guard at 3 sides
- Durable brass control valve
- Easy access to pilot valve adjustment screws
- Easy gas conversion in field
- 3/4" NPT rear gas connection
- Shipped with gas regulator
- One year limited parts and labor warranty

CB-16: 16"
 CB-24: 24"
 CB-36: 36"
 CB-48: 48"
 CB-60: 60"



Model	Description	Total Input BTU/HR	Packing Size(IN)	N/W (LB)	G/W (LB)
CB-16	Gas radiant broiler	30,000	19x30x20	108	126
CB-24	Gas radiant broiler	60,000	28x30x20	119	154
CB-36	Gas radiant broiler	90,000	39x30x20	163	210
CB-48	Gas radiant broiler	120,000	50x30x20	216	298
CB-60	Gas radiant broiler	150,000	63x30x20	269	368



SABA

3390 Enterprise Ave., Hayward, CA 94545

Toll Free: +1 (844) 422-8900 Telephone: +1 (510) 293-0189 Fax: +1 (510) 293-0199

<http://sabacorpusa.com/>