

# SABA

## Gas Stockpot Range

- SP-1 Gas single stockpot range
- SP-2 Gas double stockpot range



Model: SP-1

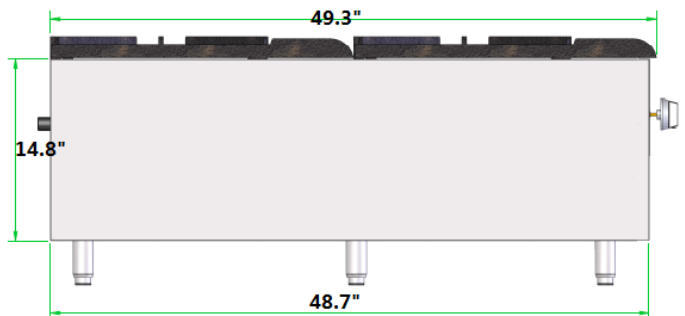
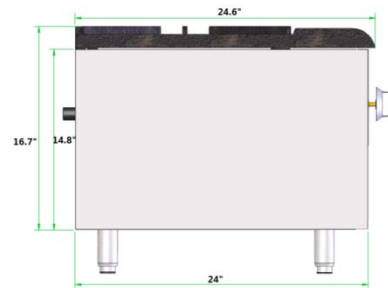
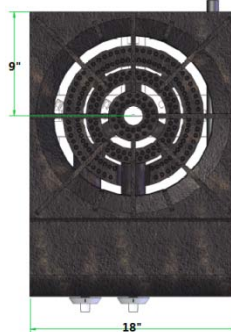
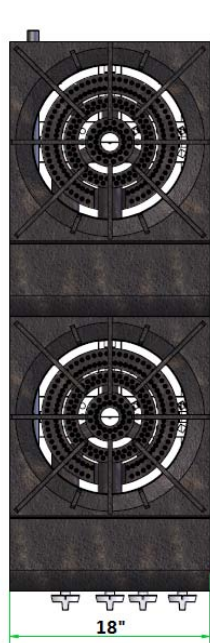
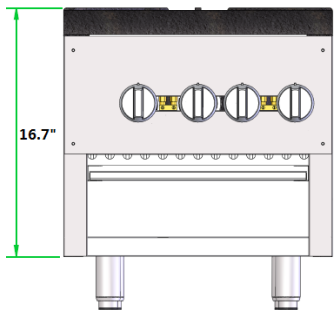
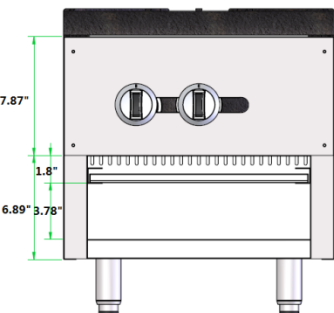


Model: SP-2



### STANDARD FEATURES

- Stainless steel front and sides
- Cast iron 2-ring burner, each 55,000 BTU/hr (Natural gas)
- 18" x24.6" (46x62.5cm) cast iron grate
- Standby S/S pilot for easy start
- Adjustable heavy duty legs
- Cool to touch fiberglass Nylon knobs
- Full width crumb tray at the bottom
- Durable brass valve for individual control
- Easy access to pilot valve adjustment screws
- Easy gas conversion in field
- 3/4" NPT rear gas connection
- Shipped with gas regulator
- One year limited parts and labor warranty



Model	Description	BTU/HR (Natural gas)	BTU/HR (Propane)	Packing Size(IN)	N/W (LB)	G/W (LB)
SP-1	Gas stock pot	110,000	85,000	24x30.3x20	71	95
SP-2	Gas stock pot	220,000	170,000	24x57x20	196	275



SABA

3390 Enterprise Ave., Hayward, CA 94545

Toll Free: +1 (844) 422-8900 Telephone: +1 (510) 293-0189 Fax: +1 (510) 293-0199

<http://sabacorpusa.com/>